

jQuery - Dimensions

- description : jQuery - Dimensions
- author :
- email : shlim@repia.com
- lastupdate : 2021-04-19

Ref

[jQuery - Dimensions](#)

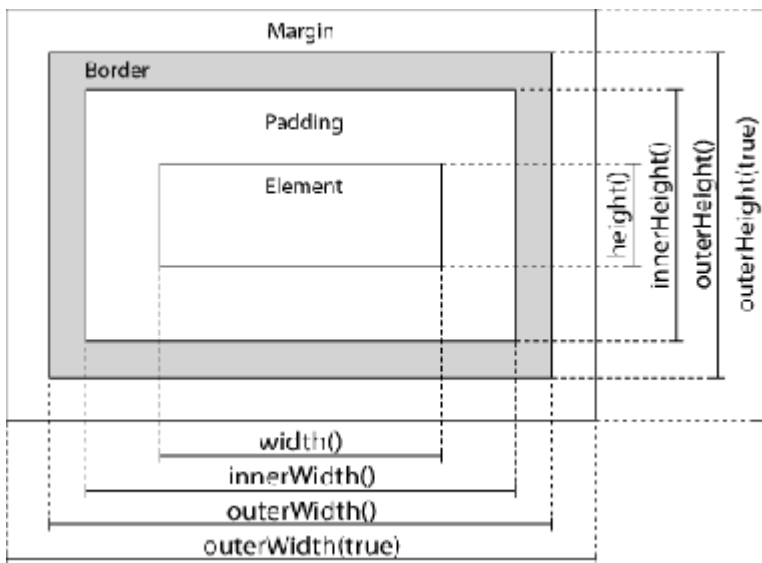
jQuery (dimensions,)

jQuery Dimension Methods

jQuery 가

- width()
- height()
- innerHeight()
- outerWidth()
- outerHeight()

jQuery Dimensions



jQuery width() and height() Methods

width() (padding, border margin).

height() (padding, border margin).

<div>

```
$(document).ready(function () {  
  $("#button").click(function () {  
    var txt = "";  
    txt += "Width of div: " + $("#div1").width() + "<br>";  
    txt += "Height of div: " + $("#div1").height();  
    $("#div1").html(txt);  
  });  
});
```

jQuery innerWidth() and innerHeight() Methods

innerWidth() (padding).

innerHeight() (padding).

<div> _____ / _____ (inner-width/height) .

```
$(document).ready(function () {  
  $("#button").click(function () {  
    var txt = "";  
    txt += "Width of div: " + $("#div1").width() + "</br>";  
    txt += "Height of div: " + $("#div1").height() + "</br>";  
    txt += "Inner width of div: " + $("#div1").innerWidth() + "</br>";  
    txt += "Inner height of div: " + $("#div1").innerHeight();  
    $("#div1").html(txt);  
  });  
});
```

jQuery outerWidth() and outerHeight() Methods

outerWidth() (padding border).

outerHeight() (padding border).

<div> / .

```

$(document).ready(function () {
  $("#button").click(function () {
    var txt = "";
    txt += "Width of div: " + $("#div1").width() + "<br>";
    txt += "Height of div: " + $("#div1").height() + "<br>";
    txt += "Outer width of div: " + $("#div1").outerWidth() + "<br>";
    txt += "Outer height of div: " + $("#div1").outerHeight();
    $("#div1").html(txt);
  });
});

```

outerWidth(true) (padding, border margin).

outerHeight(true) (padding, border margin).

```

$(document).ready(function () {
  $("#button").click(function () {
    var txt = "";
    txt += "Width of div: " + $("#div1").width() + "<br>";
    txt += "Height of div: " + $("#div1").height() + "<br>";
    txt += "Outer width of div (margin included): " +
    $("#div1").outerWidth(true) + "<br>";
    txt += "Outer height of div (margin included): " +
    $("#div1").outerHeight(true);
    $("#div1").html(txt);
  });
});

```

jQuery More width() and height()

(HTML) (viewport) .

```

$(document).ready(function () {
  $("#button").click(function () {
    var txt = "";
    txt += "Document width/height: " + $(document).width();
    txt += "x" + $(document).height() + "\n";
    txt += "Window width/height: " + $(window).width();
  });
});

```

```
txt += "x" + $(window).height();  
alert(txt);  
});  
});
```

<div>

```
$(document).ready(function () {  
  $("button").click(function () {  
    $("#div1").width(500).height(500);  
  });  
});
```

jQuery HTML Reference

jQuery HTML

, [jQuery HTML/CSS Reference](#)

, [jQuery](#), -, [Dimensions](#)

From:
<http://rwiki.repia.com/> -

. - 2023.12

Permanent link:
http://rwiki.repia.com/doku.php?id=wiki:javascript:jquery:jquery_note:jquery_dimensions&rev=1618795407



Last update: **2022/03/10 19:52**